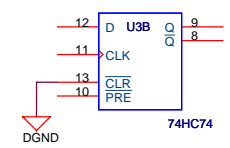
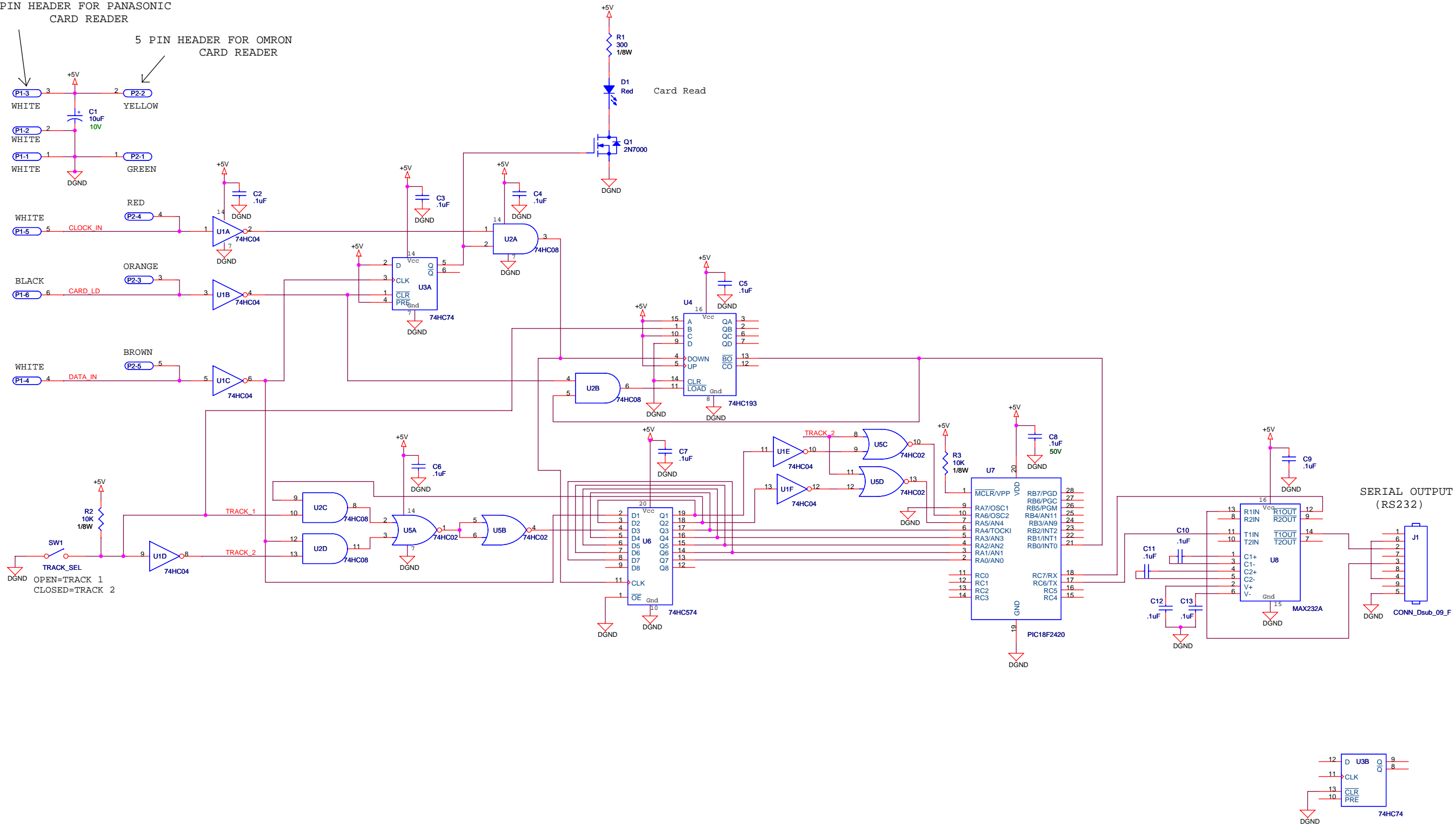


CONNECT ONLY ONE CARD
READER AT A TIME

6 PIN HEADER FOR PANASONIC
CARD READER

5 PIN HEADER FOR OMRON
CARD READER



Dept. of Physics, 80 819 University of California, San Diego 9500 Gilman Dr., La Jolla, Ca. 92093		PHYSICS ELECTRONICS SHOP	
Title MAGNETIC CARD READER INTERFACE			
Size C	Document Number PHY-PUL-P070110-S1		Rev
Date: Friday, March 02, 2007	Sheet 1 of 1		